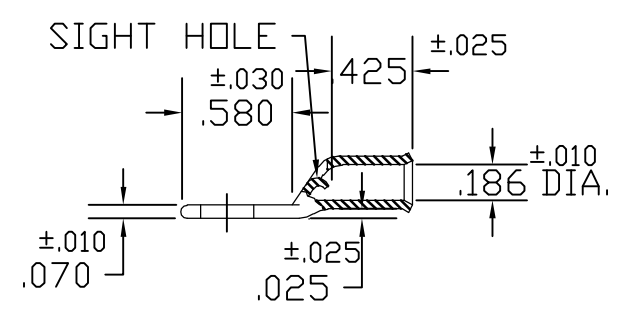
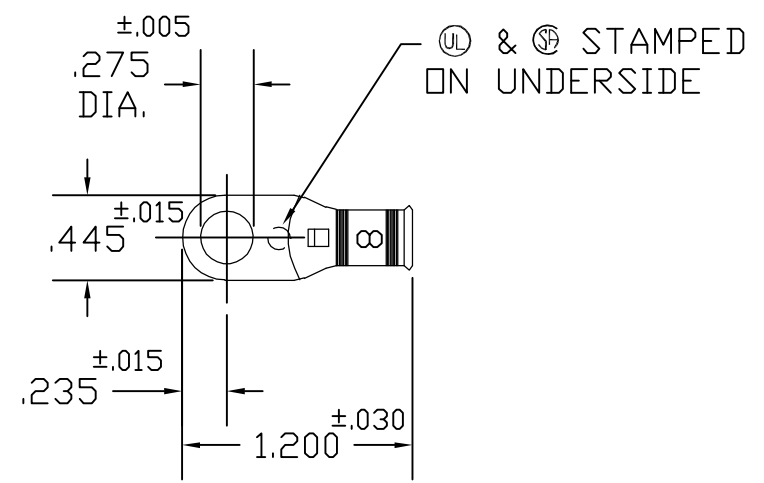


THIS DRAWING IS UNPUBLISHED. RELEASED FOR PUBLICATION  
 © COPYRIGHT BY TYCO ELECTRONICS CORPORATION. ALL RIGHTS RESERVED.

LOC	DIST	REVISIONS					
		P	LTR	DESCRIPTION	DATE	DWN	APVD
G	50		B1	REVISED PER ECR-06-013318	05JUN06	HMR	JR



COLOR CODED RED

ACTIVE	8141-60	STANDARD	COLOR CODED	1527117-3
STATUS	AET P/N	PACKAGING	FINISH	PART NUMBER

THIS DRAWING IS A CONTROLLED DOCUMENT.		DWN D.A.A. 10/31/00	Tyco Electronics Corporation Harrisburg, PA 17105-3608	
DIMENSIONS: INCHES		CHK H.D.F. 10/31/00		
TOLERANCES UNLESS OTHERWISE SPECIFIED:		APVD H.D.F. 10/31/00	NAME	
0 PLC ± - 1 PLC ± - 2 PLC ± - 3 PLC ± - 4 PLC ± - ANGLES ± -		PRODUCT SPEC	8 STANDARD TERMINAL W/SIGHT HOLE & COLOR CODED	
MATERIAL COPPER ASTM B-152		FINISH -	APPLICATION SPEC	RESTRICTED TO
		WEIGHT -	SIZE A3	CAGE CODE 00779
		CUSTOMER DRAWING	DRAWING NO C-1527117	REV B1
			SCALE 1:1	SHEET 1 OF 1